

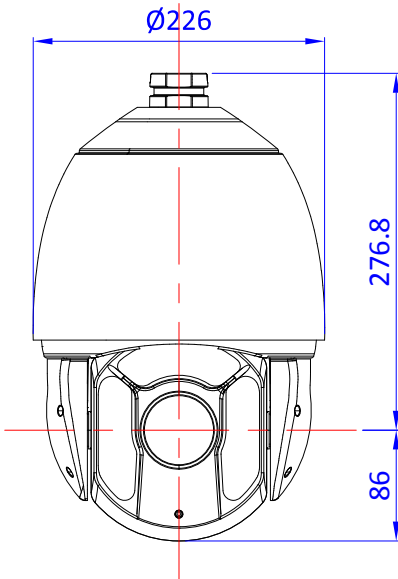
Ultra Performance **Global Shutter** HD IP IR PTZ Camera



Overview

- 2MP **Global Shutter** HD IP IR PTZ Camera
- 1/1.8" Sony Global Shutter CMOS Sensor
- Optical x36 & Digital x12
- DSS On (x4) : 0.075 Lux @ Color, 0.01 Lux @ B/W
- Day & Night / DE-FOG / Image Stabilization
- 8 Masks with Spherical Coordinate
- The Shortest Path with Vector Drive Technology
- Micro Control(0.1°/SEC.) with Micro Stepping Control Technology
- 255 Presets / 4 Patterns / 1 Auto Pan / 8 Groups
- Extra CVBS Output
- RS-485 for Easy PTZ Control
- 2 Sensor Inputs & 1 Alarm Output
- Intelligent IR LED Control
- IR LED Distance 350m
- Triple Streaming : H.265, H.264, M-JPEG
- MAX. 30FPS @ All Resolutions
- Two Way Audio

Dimension



Specification

Model	HIP-AZ236IRWG
Camera	
Image Sensor	1/1.8" Sony Global Shutter CMOS Sensor
Pixel	1920(H) x 1080(V)
Zoom	Optical x36, Digital x12
Focal Length	F1.6 ~ F5.3, f=6mm ~ 216mm
Angle of View	H : 60°(Wide) ~ 2°(Tele)
MIN. Illuminance	DSS Off : 0.3 Lux @ Color, 0.04 Lux @ B/W DSS On (x4) : 0.075 Lux @ Color, 0.01 Lux @ B/W
Day & Night	Auto / Day / Night(ICR)
Focus	Auto / Manual
AE Mode	Auto / Iris / Shutter / Manual / Bright
White Balance	Auto / Indoor / Outdoor / Manual(Red, Blue Gain Adjustable)
BLC	On / Off
WDR	On / Off
DE-FOG	On / Off
Aperture	Adjustable
Noise Reduction	Yes
Image Stabilization	On / Off
Privacy Mask	8 Masks, Spherical Coordinate
Pan/Tilt Range	Pan : 360°(Endless) / Tilt : -10°~90°
Pan/Tilt Speed	Preset : 240°/SEC. Manual : 0.1°~240°/SEC.(Proportional to Zoom) Swing : 1°~90°/SEC.
Preset	255 Presets
Pattern	4 Patterns [768 Commands(Approximate 5 Minutes)/Pattern]
Auto Pan	1 Auto Pan
Group	8 Groups (MAX. 16 Actions with The Combination of Preset)
Other Functions	Auto Flip, Auto Parking, Power-up Action and Others
Extra Video Output	CVBS 1Vp-p(NTSC or PAL)
Communication	RS-485
Protocol	Pelco-D
OSD	English
Sensor Input	2 Inputs, Photo-Coupler Type
Alarm Output	1 Output, Relay Output, MAX. Load DC 24V, 1A / AC 125V, 0.5A
Audio I/O	Mono Jack, Line In/Out
Network Interface	Ethernet 10/100 Base-T (RJ-45)
Memory Slot	Micro SD
IR LED Wave Length	850nm
IR LED Distance	350m
IR LED Brightness	Auto(Proportional to Zoom) / Manual(Off~127)
Illumination Sensor	CDS Sensor
Operating Temperature	-20°C ~ 50°C / -4°F ~ 122°F
Dimension	226(Ø) x 362.8(H) [mm] / 8.9(Ø) x 14.3(H) ["] / Without a Bracket
Weight	7 kg / 15.5 lb / Without a Bracket
Input Power	DC 12V, 3.0A
Network	
System OS	Embedded Linux
Protocol	TCP/IP, UDP/IP, RTP, RTSP, RTCP, NTP, HTTP, DHCP, FTP, SMTP, DNS, DDNS
ONVIF	Support
DDNS	Support
Simultaneous User Access	MAX. 10 Users
Video Compression Format	H.265, H.264, M-JPEG
Video Resolution	1920x1080, 1280x1024, 1280x960, 1280x720, 1024x768, 640x480, 320x240
Video Frame Rate	MAX. 30FPS @ All Resolutions
Video Quality Control	H.265 & H.264 : Bitrate Control / M-JPEG : Quality Level Control
Video Streaming	Triple Stream (Stream 1, 2, 3), RTP/RTSP, Unicast RTP, Multicast RTP
Audio Compression Format	G.711 u-Law
Audio Streaming	Two Way
Web Browser OS	Windows 7, 8, 10
Web Browser Manager	IE11, Firefox, Safari, Opera
Web Browser Viewer	IE11 or Higher (Active-X)

Specification & Design are subject to change without prior notice.